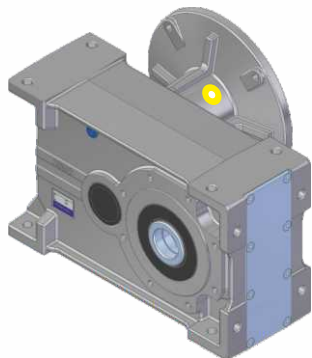


# Parallel shaft - ACCESSORIES AND OPTIONS



## ATEX Reducer category 2 Riduttore ATEX categoria 2



CODE **AX121**

- Use of synthetic oil and with oil plugs (oil plugs when possible).
- VITON oil seals.
- Loctite on all external screws.
- Double input seals, when possible.
- Additional output oil seals when possible.
- Indication of maximum temperature gauge.
- Utilizzo di olio sintetico e con tappi olio (tappi olio dove è possibile) .
- Anelli di tenuta in VITON.
- Frena filetti su tutte le viti fissaggio esterne.
- Doppio anello di tenuta in entrata , dove è possibile
- Anelli di tenuta supplementare in uscita dove è possibile.
- Indicatore visivo di temperatura di massima.

### Advised / Sugerito



**Atex Cat. 2**

For more information see our guide «Atex installation and maintenance guide» on our website.

Per ulteriori informazioni, consultare la nostra guida « Atex guida alla manutenzione e installazione » sul nostro sito..

## ATEX Reducer category 3 Riduttore ATEX categoria 3

CODE **AX222**

- Use of synthetic oil and with oil plugs (oil plugs when possible).
- Utilizzo di soli olio sintetico e con tappi olio (tappi olio dove è possibile) .

### Advised / Sugerito

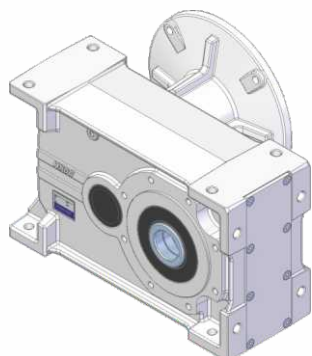


**Atex Cat. 3**

For more information see our guide «Atex installation and maintenance guide» on our website.

Per ulteriori informazioni, consultare la nostra guida « Atex guida alla manutenzione e installazione » sul nostro sito..

## Anticorrosive paint Vernice anticorrosiva



CODE **VEACB**

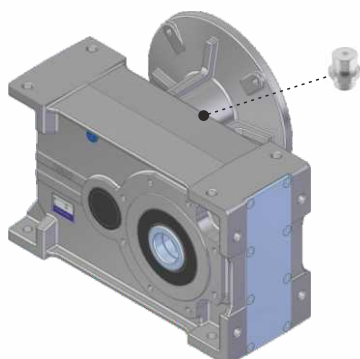
**Color flat GREY RAL 7035**  
The coating is exceptionally hard, slippery, and then compact presents a tremendous resistance to abrasion. Finds its use where the protection is required by agents external aggressive and corrosive.

**Colore flat GREY RAL 7035**  
il rivestimento risulta eccezionalmente duro, scivoloso, compatto e quindi presenta una fortissima resistenza ad abrasione. Trova il suo utilizzo la dove è necessaria una protezione da agenti esterni aggressivi e corrosivi.

### Advised / Sugerito

**Food industry.**  
Industria alimentare.

## Oil for low temperature and food Olio per basse temperature e alimenti



CODE **OB150**

**Agip Blasia 150 (- 36°)**  
Oil for low temperature  
Olio per basse temperature

CODE **OHF46**

**Rocol HI Power W46 (- 40°)**  
Oil for low temperature  
Olio per basse temperature

CODE **OF320**

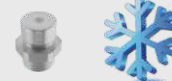
**Foodlub 320 (- 33°)**  
Oil for food  
Olio per alimenti

CODE **OS320**

**Agip Telium 320 (- 36°)**  
Synthetic oil only available for H71/2/3C and H81/2/3C .  
Olio sintetico disponibile solo per H71/2/3C e H81/2/3C .

### Advised / Sugerito

**Low temperature.**  
\* With pressure oil valve plug  
Basse temperature.  
\* con tappo olio con valvola



**Oil for food.**  
Olio per alimenti.

**All plugs closed, low internal pressure.**  
Tappi chiusi, bassa pressione interna.

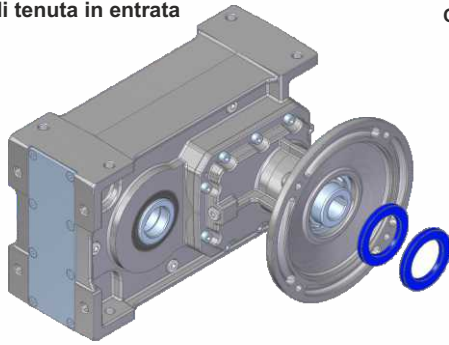
# Parallel shaft - ACCESSORIES AND OPTIONS



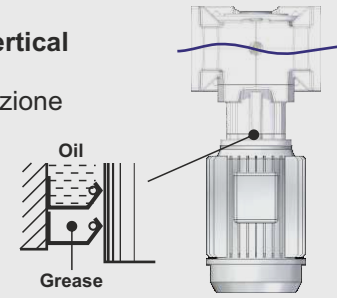
Double input oil seal  
Doppio anello di tenuta in entrata

CODE **2ATEN**

Advised / Suggestito



**Ideal for V6 vertical position.**  
Ideale per posizione verticale V6.

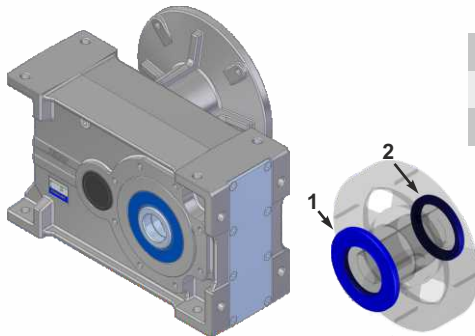


|             | H62C / H72C | H63C / H73C   | H82C          | H83C          |               |
|-------------|-------------|---------------|---------------|---------------|---------------|
| <b>IEC</b>  | 56 B5       | —             | —             | —             |               |
|             | 63 B5       | —             | 35x47x7       | —             |               |
|             | 71 B5       | 45x62x7       | 35x47x7       | —             | 45x62x7       |
|             | 80÷90 B5    | 45x62x7       | 35x47x7       | —             | 45x62x7       |
|             | 100÷112 B5  | Not available | Not available | —             | Not available |
|             | 132 B5      | Not available | —             | Not available | Not available |
|             | 160 B5      | —             | —             | Not available | —             |
|             | 180 B5      | —             | —             | Not available | —             |
|             | 56 B14      | —             | —             | —             | —             |
|             | 63 B14      | —             | —             | —             | —             |
| <b>NEMA</b> | 71 B14      | —             | 35x47x7       | —             |               |
|             | 80 B14      | Not available | 35x47x7       | —             | Not available |
|             | 90 B14      | Not available | 35x47x7       | —             | Not available |
|             | 100÷112 B14 | 45x62x7       | Not available | —             | 45x62x7       |
|             | 132 B14     | Not available | —             | —             | Not available |
|             | 56C         | 45x62x7       | 35x47x7       | —             | 45x62x7       |
|             | 143/5TC     | 45x62x7       | 35x47x7       | —             | 45x62x7       |
|             | 182/4TC     | 45x62x7       | —             | Not available | 45x62x7       |
|             | 213/5TC     | Not available | —             | Not available | Not available |
|             | 254/6TC     | —             | —             | Not available | —             |

Output shaft Viton oil seals  
Anelli di tenuta uscita in Viton

CODE **ATVIU**

Advised / Suggestito



|         | 1         | 2         |
|---------|-----------|-----------|
| H61/2/3 | 55x100x10 | 55x80x8   |
| H71/2/3 | 65x120x12 | 65x85x10  |
| H81/2/3 | 75x130x10 | 75x100x10 |

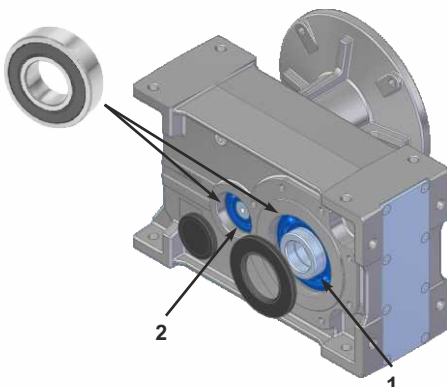
**For ambient temperature >40°C**  
Per temperatura ambiente >40°C



Life lubricated bearings  
Cuscinetti lubrificati a vita

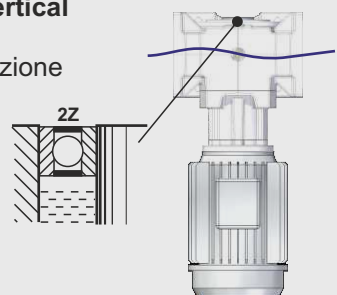
CODE **MONV6**

Advised / Suggestito



|          | 1    |
|----------|------|
| H61/2/3C | 6211 |
| H71/2/3C | 6213 |
| H81/2/3C | 6215 |
|          | 2    |
| H61/2/3C | 6204 |
| H71/2/3C | 6204 |
| H81/2/3C | 6306 |

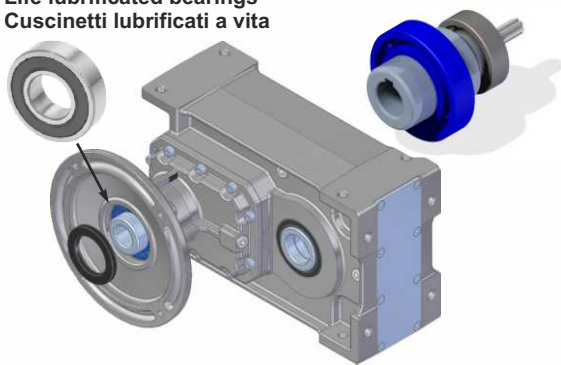
**Ideal for V6 vertical position.**  
Ideale per posizione verticale V6.



# Parallel shaft - ACCESSORIES AND OPTIONS



Life lubricated bearings  
Cuscinetti lubrificati a vita



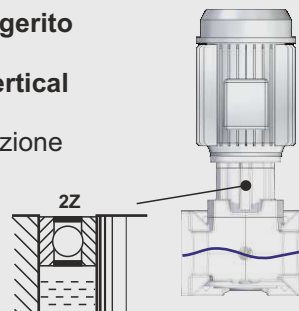
CODE **MONV5**

|                      | Type |
|----------------------|------|
| H63C<br>H73C         | 6007 |
| H62C<br>H72C<br>H83C | 6009 |
| H61C<br>H71C         | 6011 |
| H82C                 | 6013 |
| H81C                 | 6014 |

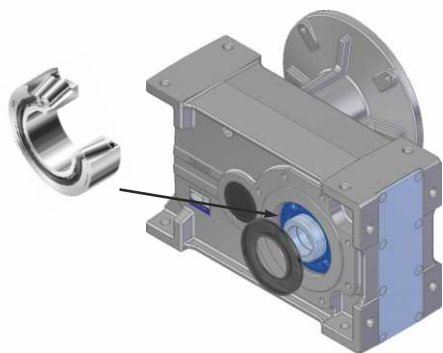
Advised / Suggestito

**Ideal for V5 vertical position.**

Ideale per posizione verticale V5.



Taper roller bearings on the hollow shaft  
Cuscinetti conici sul mozzo in uscita



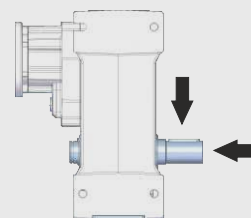
CODE **CRCOU**

|          | Type           |
|----------|----------------|
| H61/2/3C | 30211<br>32011 |
| H71/2/3C | 30213<br>32013 |
| H81/2/3C | 30215          |

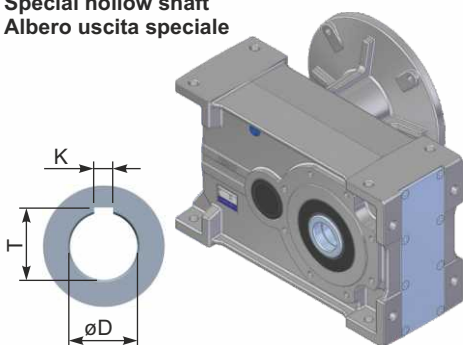
Advised / Suggestito

**Ideal for high radial and axial loads +50% of the catalogue values**

Ideale per forti carichi radiali e assiali +50% dei valori di catalogo.



Special hollow shaft  
Albero uscita speciale



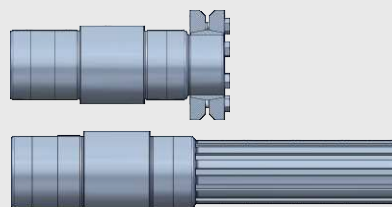
CODE **ACR...**

|         | øD | T    | K  | CODE         |
|---------|----|------|----|--------------|
| H61/2/3 | 40 | 43.3 | 12 | <b>ACR40</b> |
| H71/2/3 | 45 | 48.8 | 14 | <b>ACR45</b> |
| H81/2/3 | 55 | 59.3 | 16 | <b>ACR55</b> |

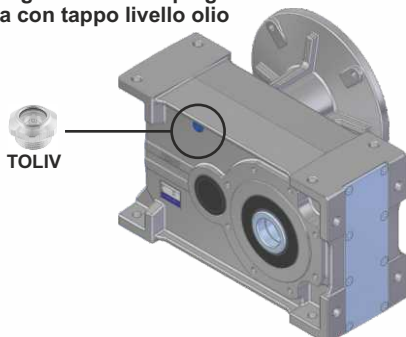
Advised / Suggestito

**Any request from 10 pieces.**

Ogni richiesta da 10 pezzi.



Housing with oil level plugs  
Cassa con tappo livello olio



CODE **TOLIV**

|            | Type |
|------------|------|
| H61/62/63C | 3/8G |
| H71/62/63C | 3/8G |

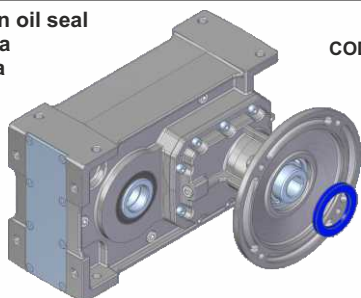
Advised / Suggestito

**With level oil plug.**

Con tappo livello.

For more information you see our website.  
Per ulteriori informazioni consultare il sito.

Input with Viton oil seal  
Anello di tenuta  
Viton in entrata



CODE **Input without coupling  
Entrata senza giunto**

|                      | Type    |
|----------------------|---------|
| H62C<br>H72C<br>H83C | 45x62x8 |
| H63C<br>H73C         | 35x47x7 |

Advised / Suggestito

**For ambient temperature >40°C**  
Per temperatura ambiente >40°C



# Parallel shaft - ACCESSORIES AND OPTIONS

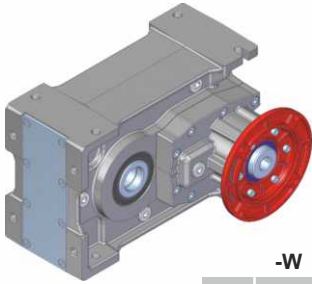


NEMA input flange.  
Flangia entrata NEMA.

CODE **FLENU**

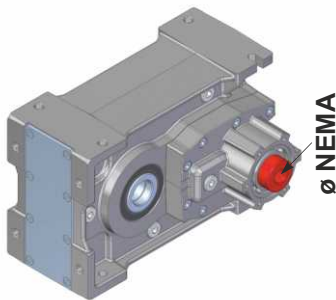
Advised / Sugerito

USA , CANADA, MEXICO.



|              | -W        | -X            | -Y            | AA            | AB            |
|--------------|-----------|---------------|---------------|---------------|---------------|
| H62C<br>H72C | 56C-0.625 | 143/5TC-0.875 | 182/4TC-1.125 | 213/5TC-1.375 | —             |
| H63C<br>H73C | 56C-0.625 | 143/5TC-0.875 | —             | —             | —             |
| H82C         | —         | —             | 182/4TC-1.125 | 213/5TC-1.375 | 254/6TC-1.625 |
| H83C         | 56C-0.625 | 143/5TC-0.875 | 182/4TC-1.125 | 213/5TC-1.375 | —             |

Without NEMA flange  
Senza flangia NEMA.



∅ NEMA

|              | -K    | -N    | -S    | UA    | UB    |
|--------------|-------|-------|-------|-------|-------|
| H62C<br>H72C | 0.625 | 0.875 | 1.125 | —     | —     |
| H63C<br>H73C | 0.625 | 0.875 | —     | —     | —     |
| H82C         | —     | —     | 1.125 | 1.375 | 1.625 |
| H83C         | 0.625 | 0.875 | 1.125 | —     | —     |